

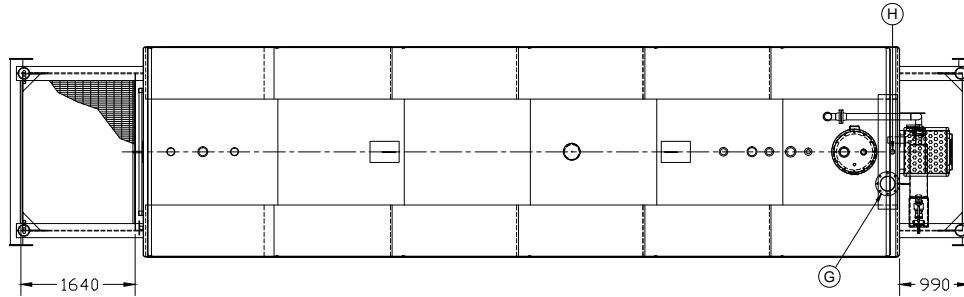
NOTES:

- 1 - UNIT CONFORMS TO ULC-S601-07 SPECIFICATIONS.
- 2 - PRODUCTION TESTING: 20 - 30 kPa (2.9 - 4.4 psi) AIR TEST.
- 3 - DIMENSIONS ARE IN SI UNITS AND MAY VARY DUE TO MANUFACTURING TOLERANCES.
- 4 - ALL COMPONENTS ARE SUPPLIED BY WESTEEL UNLESS OTHERWISE SPECIFIED.
- 5 - DECALS: ULC STANDARD DECALS ARE INSTALLED AS REQUIRED.

** NO WESTEEL DECALS **

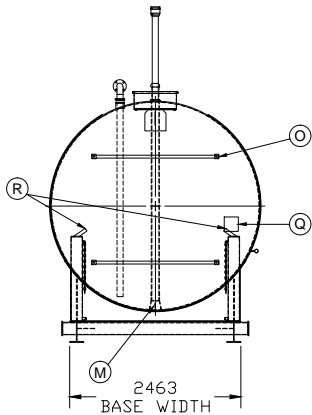
- 6 - ALL EXTERIOR SURFACES ARE PREPARED WHITE TO WCS-2 SPECIFICATIONS. ALL INTERIOR SURFACES ARE AS WELDED.
- 7 - CONTAINMENT: 3/16" SHELL MATERIAL.
- 8 - SKID DECK MATERIAL: GALVANIZED, SERRATED BAR GRATING.
- ACCESS STEP MATERIAL: GALVANIZED GRIP TREADS.

MARK	MARK	DESCRIPTION	REMARKS
A	1	76mm (3") NPT PRIMARY TANK NORMAL VENT PORT (STACK/CAP ARE SHIPPED LOOSE)	STACK: ALUM. 75mm x 1220 - TOE CAP: 3. EBW 800-203-01 - UPD
B	1	PRIMARY TANK EMERGENCY VENT	
C	2	LIFT LUGS	
D	1	610mm (24") Dia. ACCESS SPILLBOX - 51mm CAMLOCK DIP - 102mm NPT SPARE / 13mm DRAIN	c/w REMOVEABLE FITTING PLATE FOR PRIMARY TANK ACCESS
E	3	102mm (4") NPT - SPARE PORT	c/w M.I. PLUG
F	1	102mm (4") NPT - 76mm (3") FILL - RTF / DROP TUBE	OVERFILL: BY OTHERS
G	1	SECONDARY TANK EMERGENCY VENT	
H	1	51mm (2") NPT SECONDARY TANK INSPECTION PORT	c/w M.I. PLUG
I	1	51mm (2") NPT - SPARE	c/w M.I. PLUG
J	2	102mm (4") MNPT - STP MOUNT/INTERNAL SUPPORT	c/w M.I. PIPE CAP
K	1	76mm (3") NPT - SPARE	c/w M.I. PLUG
L	2	BASE SUPPORT SADDLES	
M	2	GROUND LUGS	
N		WF 12 x 40 Ith BEAM SKID BASE, GRATED DECK 6" Sch.80 BOLLARDS / 6" Sch.80 TOW BARS	
O	4	CONNSTRUT TABS	
P	1	DIPSTICK HOLDER	c/w 366 cm DIPSTICK INSTALLED
Q	1	8" x 8" SWITCH PLATE	
R	2	1-1/2" Sch.40 PIPE NOZZLE HOLDERS - LOCKING CHAINS	
S	1	ACCESS LADDER / PLATFORM	
T	1	76mm (3") - 150# ANSI R.F. FLANGED DISCHARGE	c/w R.F. BLIND FLANGE

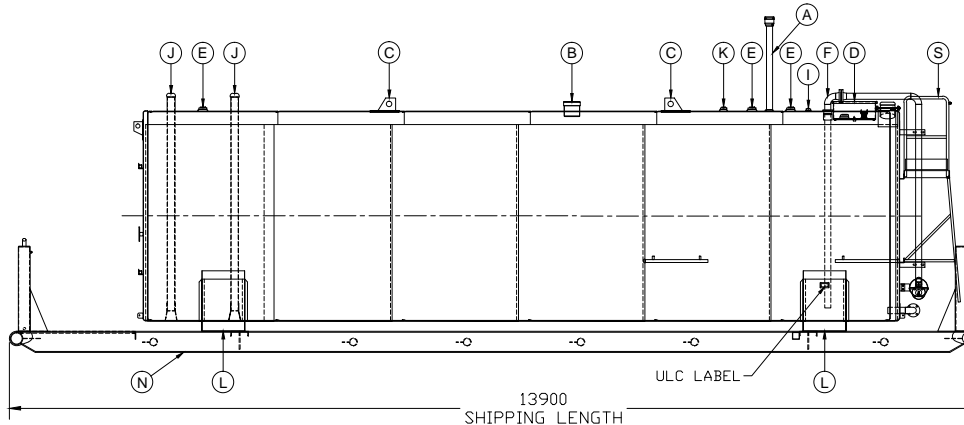


PLAN VIEW

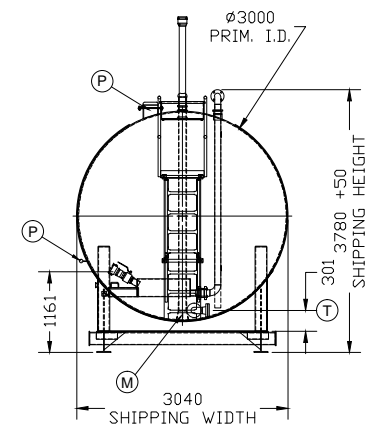
CONTACT: RYAN McLAY
PURCHASE ORDER No.: PO 03410
PROJECT NAME:
WESTEEL QUOTE No.: 25001623
15 - UNIT(S) Req'd. PER THIS ORDER



END VIEW



SIDE VIEW



END VIEW

No.	DATE	REVISION DESCRIPTION	ECN#	BY	CHK'D	WORK ORDER	THE INFORMATION CONTAINED IN THIS DRAWING IS THE SOLE PROPERTY OF WESTEEL STORAGE SOLUTIONS. ANY REPRODUCTION, OR DISCLOSURE, IN WHOLE OR IN PART WITHOUT WRITTEN PERMISSION FROM WESTEEL STORAGE SOLUTIONS IS PROHIBITED.	DRAWN BY:	CREATION DATE:	WESTEEL STORAGE SOLUTIONS		
0	27 MAR 14	RELEASE FOR PRODUCTION		LCS		WEIGHT: 15,450 kg. (34,000 lbs.)	UNLESS OTHERWISE SPECIFIED: 1. ALL DIMENSIONS ARE IN mm 2. DIMENSION TOLERANCES ARE: - LINEAR: ±0.10mm. - ANGLES: ±1°. DONOT SCALE THIS DRAWING	LCS	19 NOV 13	DRAWING DESCRIPTION: GENERAL ASSEMBLY		
D	27 MAR 14	DELMETER SHELF - ITEM 'U'		LCS		TANK SIZE: 75,000 L		JRN	27 MAR 14	LOCATION: TISDALE		
C	26 MAR 14	HORIZ. DIPSTICK HOLDER - ADD METER SHELF - CONNSTRUT TABS ONLY		LCS		MATERIAL:		APPROVED BY:	APPROVED DATE:	REV: 0		
B	26 MAR 14	Rev DIPSTICK HOLDER - RELEASE FOR APPROVAL		LCS		PAINTE SPEC:		R.McLAY	27 MAR 14	CUSTOMER: TANKS DIRECT		
A	25 NOV 13	REPLACE W-H TABS/SHELF WITH CONNSTRUT		LCS		WCS-2 WHITE		LCS	27 MAR 14	DRAWING / FILE No.: HFV-C 75000 25001623		
								DXF BY:	DXF DATE:	SHEET 1 OF		