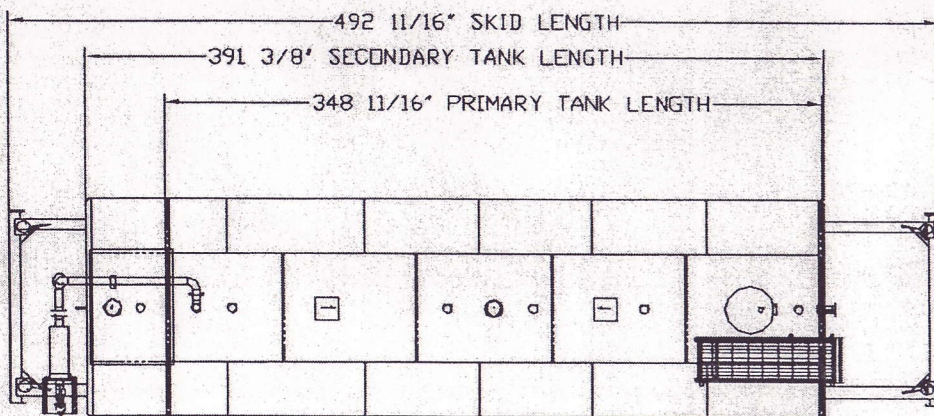


ITEM	SUPPLIED BY	QTY / MODEL #
VENT CAP	NSI	3' ERM
OVERFILL	NSI	REC'D 9V ALARM
DECALS	NSI	WARNING DECALS ONLY

ITEM	FITTING	ITEM	FITTING
A	NORMAL VENT	H	8" SEC. EMERGENCY VENT
B	8" TANK VENT	I	2" SEC. INSPECTION PORT
C	2" KAMLOCK - DIP	J	3" BOTTOM DISCHARGE
D	24" MANHOLE ACCESS	K	SKID TANKS DIRECT IONZ
E	4" NPT SPARE	L	3" REMOTE FILL
F	LOFT LUG	M	8" NPT REC'D ALARM
G	GROUNDING LUGS	N	SUBMERSIBLE PUMP MOUNT
		O	3" NPT SPARE G/V PLUG

NOTES

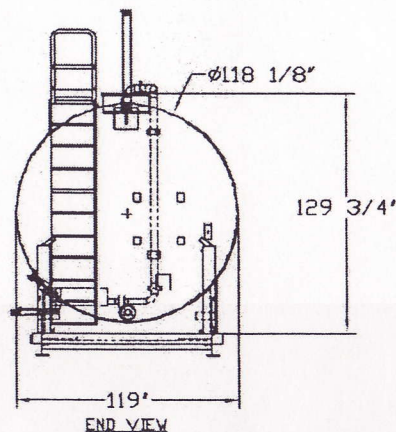
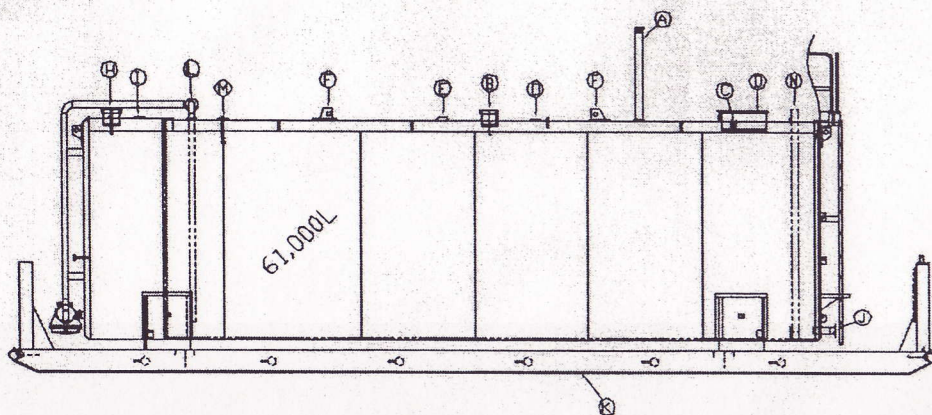
- TANK CONFORMS TO ULC-S601-00 SPEC.
- CONTAINMENT CONFORMS TO ULC-S653-94.
- UNIT WEIGHT APPROX. 24,000 lbs.
- UNIT INTERSTICE IS FREE FROM SURFACE PREPARATION AND COATINGS.
- STANDARD ULC LABEL & WARNING DECALS INSTALLED
- DIMENSIONS MAY VARY DUE TO MANUFACTURING TOLERANCES



< FULLY APPROVED, NO CHANGES. PROCEED WITH FABRICATION
 < REVISE AS NOTED, RESUBMITTAL NOT RE'RD.
 < PROCEED WITH FABRICATION
 < REVISE AS NOTED, RESUBMIT FOR APPROVAL, DO NOT PROCEED WITH FABRICATION

FULL APPROVAL REQUIRED BY DATE:
JUNE 1/06
 SCHEDULED DELIVERY DATE AND VARIANCE FROM THIS DATE MAY CAUSE EQUIPMENT DELIVERY DELAY AND/OR ADDITIONAL COST TO THE PROJECT. ANY CHANGES TO THE DESIGN AFTER FULL APPROVAL MAY ALSO CAUSE DELAYS AND/OR ADDITIONAL COSTS.

BY: _____ DATE: _____



TANKS *direct*

ENVIRONMENTAL PROTECTION TANK

STEEL REQUIREMENTS

PLATE: ASTM GRADE A36
 SHEET: ASTM GRADE A569
 SECTIONS: CSA G40.21 GRADE 44W

EXTERIOR SURFACE PREPARATION:

SANDBLAST: SSPC-SP6
 NSI CODE: MIS-SAND

INTERIOR SURFACE PREPARATION:

SANDBLAST:
 NSI CODE: N/A

EXTERIOR PRIMER:

SUPERIOR ACRYLIC URETHANE
 NSI CODE: N/A
 EXT. PRIMER ACTIVATOR: N/A

- TOTAL MILS. D.F.T. - COAT(S)

INTERIOR PRIMER:

INTERIOR PRIMER: N/A
 NSI CODE: N/A
 INT. PRIMER ACTIVATOR: N/A
 NSI CODE: N/A

TOTAL MILS. D.F.T. - COAT(S)

TOP COAT

TRIM TO BE WHITE
 SUPERIOR ACRYLIC URETHANE WHITE
 NSI CODE:
 3-8 TOTAL MILS. D.F.T. 2 COAT(S)

TESTING:

PRIMARY: 1.5 - 2.9 psi AIR TEST
 SECONDARY: 1.5 - 2.9 psi AIR TEST

A	26 MAY 06 WKD	SENT FOR APPROVAL
REV.	DATE	DESCRIPTION
DRAWN BY: WKD		
CHECKED BY: WKD		
UNITS: IMPERIAL	SCALE: DWN 1:1	
DWG.# SEAL61-19405-424		
ASSEMBLY NAME GENERAL ASSEMBLY	PG. 1	OF 6
TANK SIZE: 61,000 L	DATE: 26 MAY 06	
CUSTOMER:	W.O. #: 19405-424	