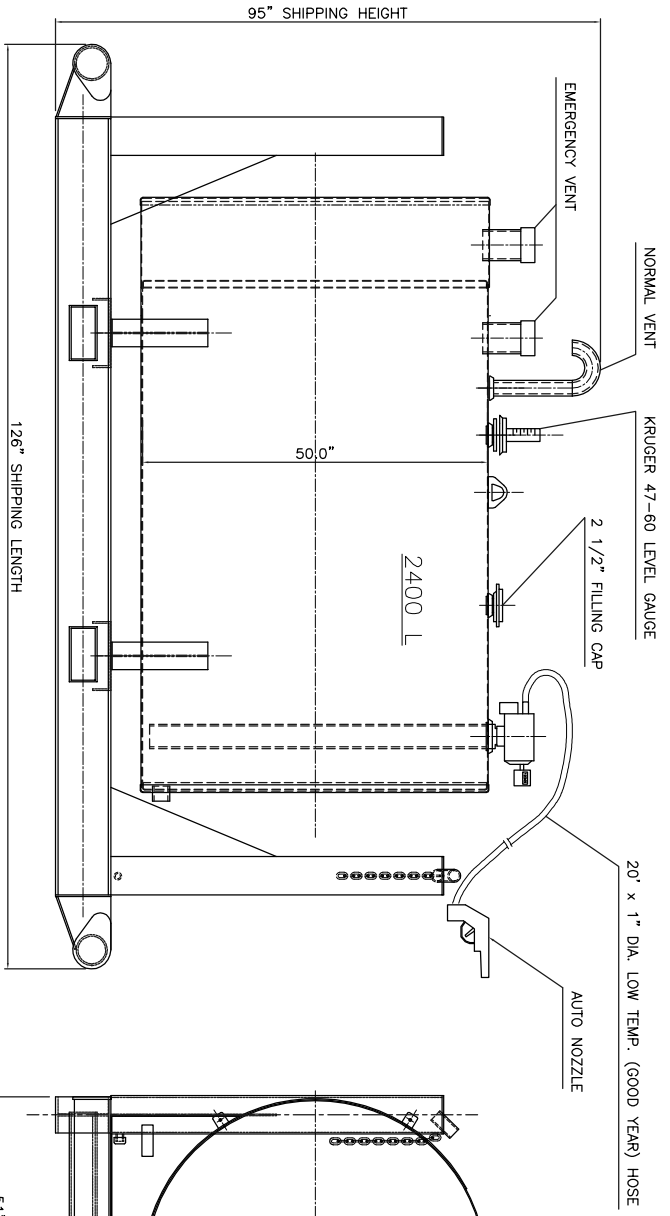
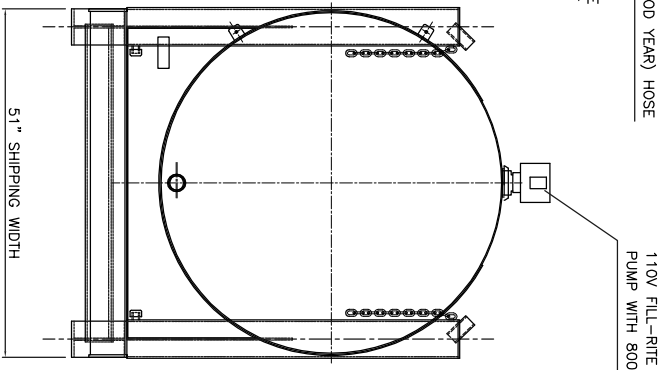


TOP VIEW



SIDE ELEVATION



END VIEW

110V FILL-RITE 701 SERIES PUMP WITH 800 SERIES FILL RITE METER

20' x 1" DIA. LOW TEMP. (GOOD YEAR) HOSE

AUTO NOZZLE

2 1/2" FILLING CAP

KRUGER 47-60 LEVEL GAUGE

NORMAL VENT

EMERGENCY VENT

2400 L

50.0"

126" SHIPPING LENGTH

51" SHIPPING WIDTH

74 1/4" PRIMARY TANK LENGTH

86 1/4" SECONDARY TANK LENGTH

50.0" PRIM I.D.

95" SHIPPING HEIGHT

UIC S601/S653
GENERAL ARRANGEMENT
2400 LTRS

TANKS DIRECT
11781 231 STREET
DUNDON, AB T5S 2S5

REV.	0	ISSUE FOR APPROVAL	NOV. 21, 08	AP	TD
		DESCRIPTION	DATE	DRAWN	APPROV.
DATE		ESTD FOR			
		CONSTRUCTION			
		REVISION			

W.D. NO.	NO. DWT	DRAWING NO.	REV.
TD-0001	ONE	2400-LTRS-001	RD

SCALE: NTS FILE NAME: 2400-LTRS-001

